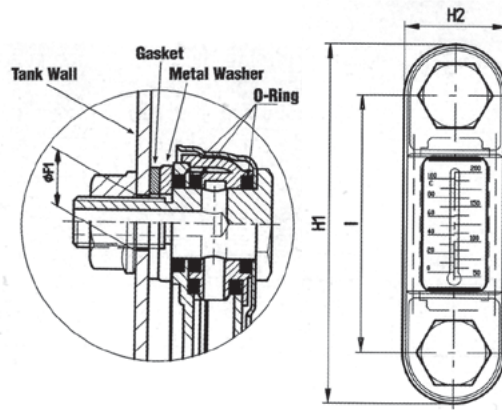


LEVEL GAUGES

- OIL INDICATOR WITH THERMOMETER
- AVAILABLE WITH METRIC BOLT THREAD

PART NUMBER	DIMENSIONS			THREAD
	I	H1	H2	
T-LLG-3	3.0"	4.2"	1.2"	1/2-13 UNC
T-LLG-5	5.0"	6.1"		
T-LLG-10	10.0"	11.1"	1.3"	

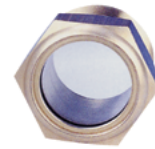


T-LLG-5

SIGHT WINDOWS

- INDICATE LIQUID LEVEL IN RESERVOIR
- SAE-THREAD AND REFLECTOR BALL IN OPTION

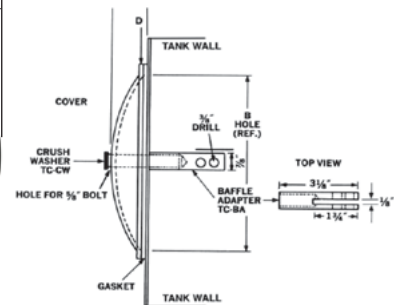
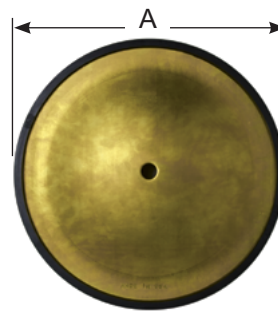
PART NUMBER	THREAD
LSW-6	3/8 NPT
LSW-8	1/2 NPT
LSW-12	3/4 NPT
LSW-16	1 NPT
LSW-20	1 1/4 NPT
LSW-24	1 1/2 NPT
LSW-32	2 NPT



TANK COVERS

- GIVES ACCESS TO INSIDE OF RESERVOIR
- MADE IN STEEL ZINC PLATED
- NO-LEAK GASKET
- DRAIN IN OPTION

PART NUMBER	DIM "A"
TC-6	6"
TC-12	12"
TC-14	14"
TC-18	18"



BAFFLE ADAPTOR (TC-BA) MUST BE ORDERED SEPARATELY

MAGNETIC DRAIN PLUGS

- ATTRACTS FERROUS PARTICLES

PART NUMBER	THREAD
MDP-6	3/8 NPT
MDP-8	1/2 NPT
MDP-12	3/4 NPT
MDP-16	1 NPT

